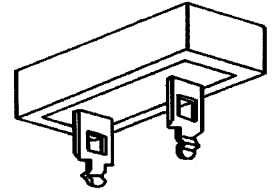


# PCB Series — Ceramic Housed - Commercial Grade - PC Mount

## Features

- Flameproof construction
- Low resistance values available
- Labor saving circuit board mounting



Electrical Specifications			
Type	Power Rating (Watts) @ 70°C	Ohmic Range and Tolerance	
		5%	10%
PCB3	3W	.1Ω – 350Ω	.1Ω – 350Ω
PCB5	5W	.1Ω – 500Ω	.1Ω – 500Ω
PCB7	7W	.15Ω – 750Ω	.15Ω – 750Ω
PCB10	10W	.2Ω – 1K	.2Ω – 1K
PCB15	15W	.2Ω – 1K	.2Ω – 1K
PCB20	20W	.3Ω – 1.25K	.3Ω – 1.25K

Resistance Temperature Coefficient:  $\pm 300\text{ppm}/^\circ\text{C}$  1Ω and below &  $\pm 800\text{ppm}/^\circ\text{C}$  above 1Ω

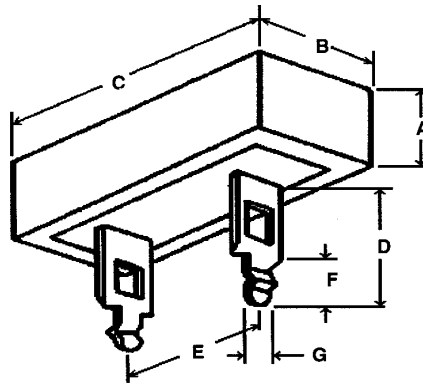
## Power Derating



## How to Order

PCB	3	10	5%	B																												
SEI Type	Code	Nominal Resistance	Tolerance	Packaging																												
	<table border="1"> <thead> <tr><th>Code</th></tr> </thead> <tbody> <tr><td>3</td></tr> <tr><td>5</td></tr> <tr><td>7</td></tr> <tr><td>10</td></tr> <tr><td>15</td></tr> <tr><td>20</td></tr> </tbody> </table>	Code	3	5	7	10	15	20	<table border="1"> <thead> <tr><th>Tolerance</th></tr> </thead> <tbody> <tr><td>5%</td></tr> <tr><td>10%</td></tr> </tbody> </table>	Tolerance	5%	10%	<table border="1"> <thead> <tr><th>Code</th><th>Description</th><th>Pkg Qty</th></tr> </thead> <tbody> <tr><td>B</td><td>PCB3, PCB5</td><td>500</td></tr> <tr><td>B</td><td>PCB7</td><td>400</td></tr> <tr><td>B</td><td>PCB10</td><td>300</td></tr> <tr><td>B</td><td>PCB15</td><td>200</td></tr> <tr><td>B</td><td>PCB20</td><td>150</td></tr> </tbody> </table>	Code	Description	Pkg Qty	B	PCB3, PCB5	500	B	PCB7	400	B	PCB10	300	B	PCB15	200	B	PCB20	150	
Code																																
3																																
5																																
7																																
10																																
15																																
20																																
Tolerance																																
5%																																
10%																																
Code	Description	Pkg Qty																														
B	PCB3, PCB5	500																														
B	PCB7	400																														
B	PCB10	300																														
B	PCB15	200																														
B	PCB20	150																														

# PCB Series — Ceramic Housed - Commercial Grade - PC Mount



Terminal alignment  $\pm 5^\circ$

## Mechanical Specifications

Type	A	B	C	D	E	F	G	Units
Tolerance	$\pm 0.030$	$\pm 0.030$	$\pm 0.050$	$\pm 0.062$	$\pm 0.060$	$\pm 0.010$	$\pm 0.005$	inches
	$\pm 0.76$	$\pm 0.76$	$\pm 1.3$	$\pm 1.6$	$\pm 1.5$	$\pm 0.3$	$\pm 0.12$	mm
PCB3	0.375 9.5	0.375 9.5	0.900 22.9	0.590 15	0.500 12.7	0.180 4.6	0.036 0.91	inches mm
PCB5	0.375 9.5	0.375 9.5	1.070 27.2	0.590 15	0.590 15	0.180 4.6	0.036 0.91	inches mm
PCB7	0.375 9.5	0.375 9.5	1.400 35.6	0.590 15	0.886 22.5	0.180 4.6	0.036 0.91	inches mm
PCB10	0.375 9.5	0.375 9.5	1.900 48.3	0.590 15	1.380 35.1	0.180 4.6	0.036 0.91	inches mm
PCB15	0.500 12.7	0.500 12.7	1.900 48.3	0.590 15	1.280 32.5	0.180 4.6	0.036 0.91	inches mm
PCB20	0.500 12.7	0.500 12.7	2.500 63.5	0.590 15	1.850 47	0.180 4.6	0.036 0.91	inches mm